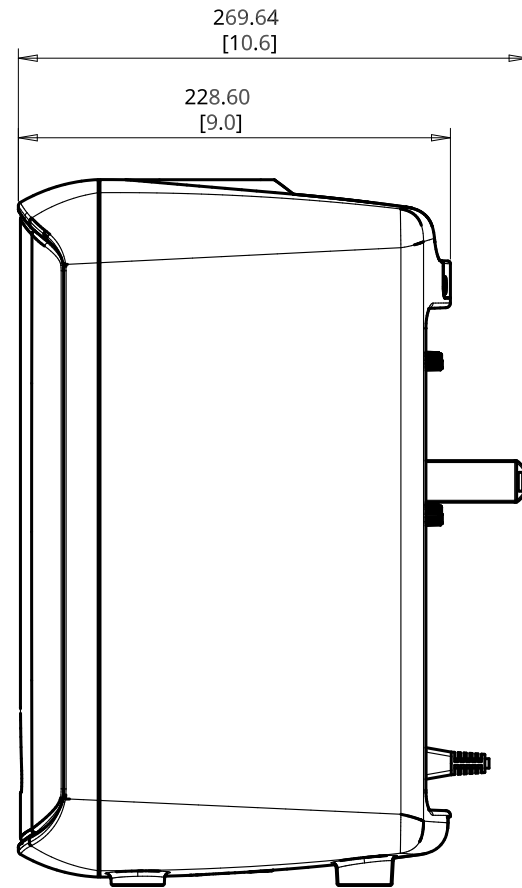
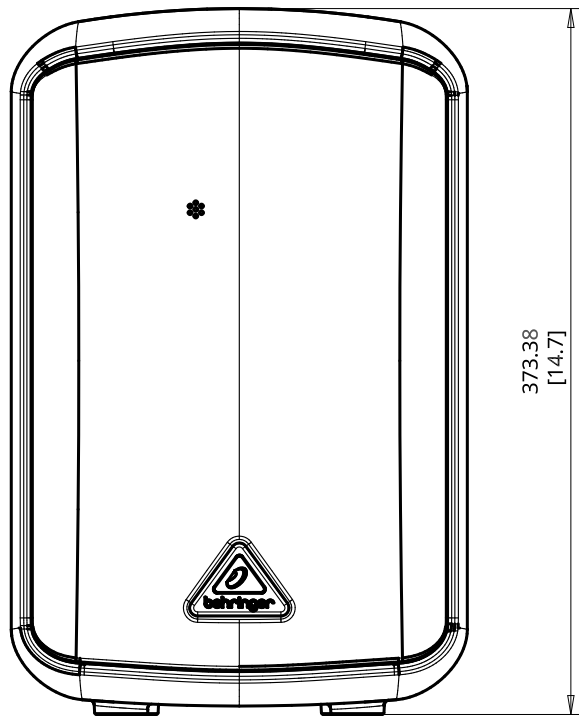
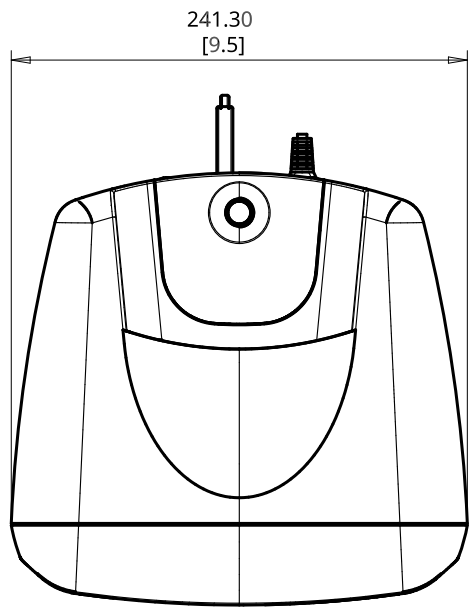


REVISION HISTORY			
REV	DESCRIPTION	DATE	REVISED
A0	DRAWING RELEASED	2020-02-27	



musictribe

THE INFORMATION AND MARKS CONTAINED IN THIS DRAWING ARE THE SOLE PROPERTY OF MUSIC TRIBE WHICH SHALL NOT BE COPIED, REPRODUCED OR DISCLOSED WITHOUT WRITTEN PRIOR PERMISSION OF MUSIC TRIBE.

PROJECT:	DESCRIPTION:
MATERIAL:	MPA100BT_P0BP4_DIMENSIONAL_DRAWING_EN
SURFACE FINISH:	SIZE: A3
ALL DIMENSIONS IN X,XXmm[X.XXXin] DO NOT SCALE DRAWING	DRAWING NUMBER:
SCALE 1:4	SHEET 1 OF 1