

6

5

4

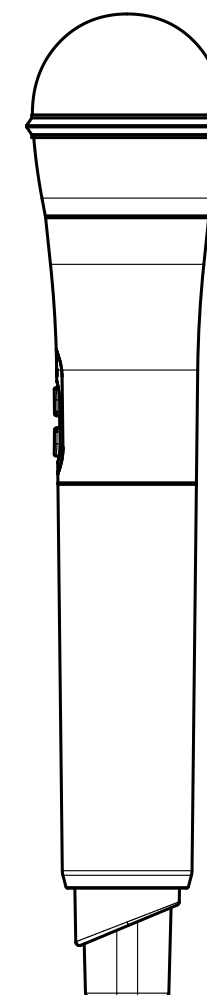
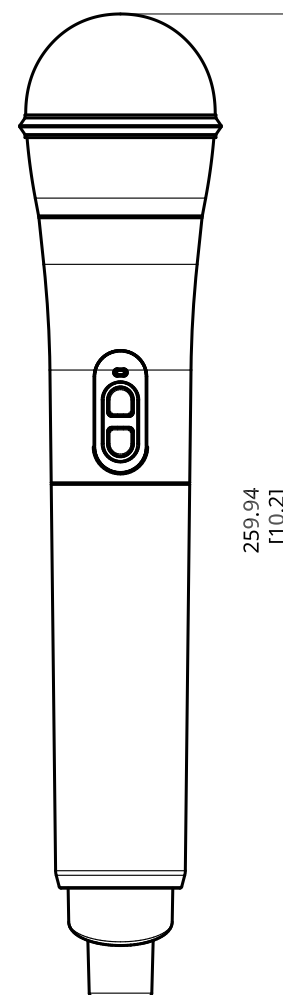
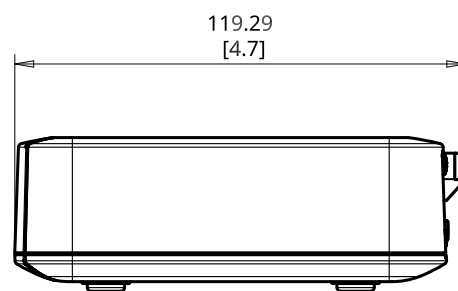
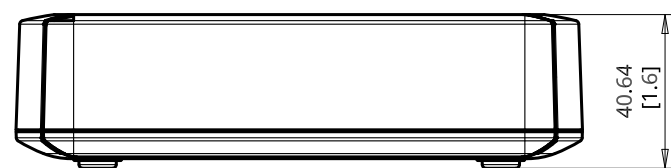
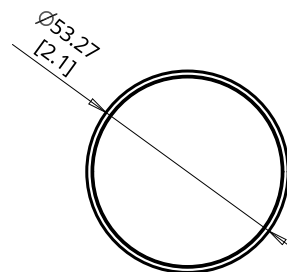
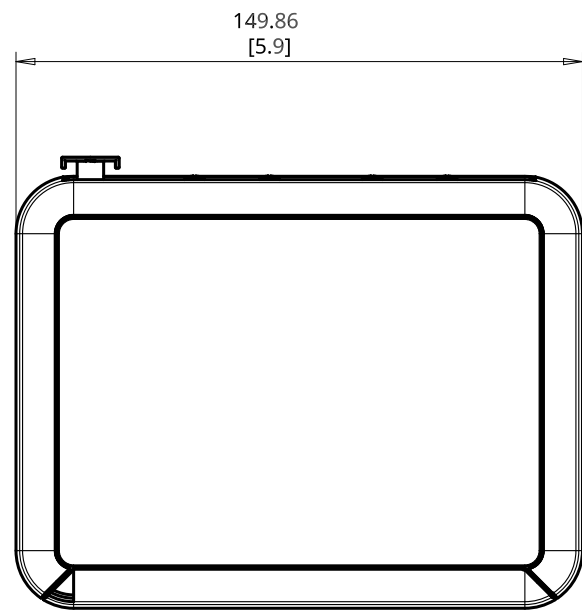
3

2

1

REVISION HISTORY

REV	DESCRIPTION	DATE	REVISED
A0	DRAWING RELEASED	2020-02-21	



musictribe

THE INFORMATION AND MARKS CONTAINED IN THIS DRAWING ARE THE SOLE PROPERTY OF MUSIC TRIBE WHICH SHALL NOT BE COPIED, REPRODUCED OR DISCLOSED WITHOUT WRITTEN PRIOR PERMISSION OF MUSIC TRIBE.

PROJECT:	DESCRIPTION: ULM302MIC_P0BQY_DIMENSIONAL_DRAWING_EN		
MATERIAL:	SIZE: A3	DRAWING NUMBER:	
SURFACE FINISH:	SCALE 1:2		SHEET 1 OF 1

ALL DIMENSIONS IN X,XXmm[X.XXXin]
DO NOT SCALE DRAWING

6

5

4

3

2

1